

GIS-CH ELECTRIC CHAIN HOIST: SIMPLE, RELIABLE, SECURE.



GIS – YOUR GENERAL CONTRACTING PARTNER FOR EFFICIENT MATERIAL FLOW.



- Complete range of market services for off-floor goods handling
- A wealth of know-how – from planning through to installation
- We manufacture quality products – «Made in Switzerland»
- Our approach is based on reliability and service

More features of the GIS company:

- Guaranteed innovation because we have our own development department
- Certified quality (ISO 9001)
- Our worldwide network of dealers keeps us extremely close to the market

... and a thousand and one applications!



Your benefits:

- solutions that match your particular situation
- maximum flexibility – another benefit of the wide GIS range
- cost-effective, reliable goods handling
- business relationships based on partnership

AN OVERVIEW OF GIS PRODUCTS

Lifting technology

GIS electric chain hoists (up to 5000 kg)

- low wear, reliable, easy to maintain
- application: stationary, movable on I-beams or combined with GIS crane system



Crane technology

GISKB crane system (up to 1250 kg)

- modular concept
- single and double bridge suspended crane for all-round goods transportation
- monorail with bends and switches for linebound transportation
- lightweight design



GIS travelling cranes (up to 5000 kg)

- designed to customer specifications
- conventional design
- especially suitable for larger spans



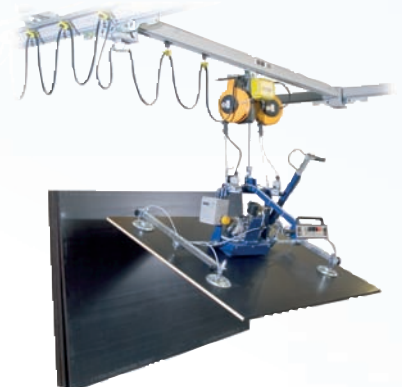
GIS slewing pillar and wall cranes (up to 1000 kg)

- for use when ceilings have insufficient load-bearing capacity
- an ideal addition to your suspended crane
- quick to plan, simple, easy to handle

Vacuum lifting technology

Gentle lifting with GIS vacuum equipment (up to 500 kg)

- for all types of surfaces and a huge variety of products
- can be combined with electric chain hoists/wire rope hoists



Your benefits:

- perfected quality products
- tested and proven thousands of times over
- simple design and installation
- at any time extendable

GIS-CH ELECTRIC CHAIN HOIST FROM 40 TO 5000 KG

- COMPACT DESIGN
- ROBUST CONSTRUCTION
- EASE OF MAINTENANCE
- AVAILABILITY ASSURED
- ADVANCED TECHNOLOGY
- SWISS QUALITY
- LIFTING CAPACITY UNTIL 5000 KG
- PROTECTION CLASS IP 55 (OPTION IP 65)

WORLD'S FIRST IN SAFETY

- Double slip clutch (best overload protection ever). Authority's safety test passed superbly! Five times more secure than the regulations require!
- Highest safety with brake positioned after the slip clutch
- End of chain is fixed to the hoist body
- Standard geared limit switch: chain length up to 120 m
- Made for industrial use: body and covers completely built in aluminum
- Jamming of the chain excluded due to two part plastic chain guide

WORLD'S FIRST IN SERVICE AND HANDLING

- Easy adjustment of the slipping clutch
- No special tools or electronic devices required
- Disc brake system maintenance free
- Chain guide removable without disassembly of the hoist
- Easy conversion from 1 to 2 fall (double load capacity)
- Ergonomic 2 and 4 button control pendant with support wire
- Silent working due to helical gears
- Standard low voltage control (42 V)



GIS-CH ELECTRIC CHAIN HOIST FROM 40 TO 5000 KG

Type description	Capacity in kg following FEM*					Lifting speed m/min	Chain mm
	1Bm M3	1Am M4	2m M5	3m M6	4m M7		
GCH 250/1N	250	200	160	125	100	8	4x12.3
GCH 250/1NF	250	200	160	125	100	8/2	4x12.3
GCH 250/1SF	160	125	100	80	60	12.5/3	4x12.3
GCH 250/1HF	100	80	60	50	40	20/5	4x12.3
GCH 250/2N	500	400	320	250	200	4	4x12.3
GCH 250/2NF	500	400	320	250	200	4/1	4x12.3
GCH 250/2SF	320	250	200	160	125	6.3/1.5	4x12.3
GCH 500/1N	500	400	320	250	200	8	5x15.3
GCH 500/1NF	500	400	320	250	200	8/2	5x15.3
GCH 500/1SF	320	250	200	160	125	12.5/3	5x15.3
GCH 500/1HF	200	160	125	100	80	20/5	5x15.3
GCH 500/2N	1000	800	630	500	400	4	5x15.3
GCH 500/2NF	1000	800	630	500	400	4/1	5x15.3
GCH 500/2SF	630	500	400	320	250	6.3/1.5	5x15.3
GCH 1000/1N	1000	800	630	500	400	8	7x22
GCH 1000/1NF	1000	800	630	500	400	8/2	7x22
GCH 1000/1SF	800	630	500	400	320	16/4	7x22
GCH 1000/2N	2000	1600	1250	1000	800	4	7x22
GCH 1000/2NF	2000	1600	1250	1000	800	4/1	7x22
GCH 1000/2SF	1600	1250	1000	800	650	8/2	7x22
GCH 1600/1N	1600	1250	1000	800	630	8	9x27
GCH 1600/1NF	1600	1250	1000	800	630	8/2	9x27
GCH 1600/1SF	1000	800	630	500	400	12.5/3	9x27
GCH 1600/2N	3200	2500	2000	1600	1250	4	9x27
GCH 1600/2NF	3200	2500	2000	1600	1250	4/1	9x27
GCH 1600/2SF	2000	1600	1250	1000	800	6.3/1.5	9x27
GCH 2000/1N	2000	1600	1250	1000	800	8	10x28
GCH 2000/1NF	2000	1600	1250	1000	800	8/2	10x28
GCH 2000/1SF	1250	1000	800	630	500	12.5/3	10x28
GCH 2000/2N	4000	3200	2500	2000	1600	4	10x28
GCH 2000/2NF	4000	3200	2500	2000	1600	4/1	10x28
GCH 2000/2SF	2500	2000	1600	1250	1000	6.3/1.5	10x28
GCH 2500/1N	2500	2000	1600	1250	1000	6.4	10x28
GCH 2500/1NF	2500	2000	1600	1250	1000	6.4/1.6	10x28
GCH 2500/1SF	1600	1250	1000	800	630	10/2.5	10x28
GCH 2500/2N	5000	4000	3200	2500	2000	3.2	10x28
GCH 2500/2NF	5000	4000	3200	2500	2000	3.2/0.8	10x28
GCH 2500/2SF	3200	2500	2000	1600	1250	5/1.25	10x28

* FEM classification: switches per hour on control pendant

1Bm (M3) = 150 switches per hour, 25% duty

1Am (M4) = 180 switches per hour, 30% duty

2m (M5) = 240 switches per hour, 40% duty

3m (M6) = 300 switches per hour, 50% duty

4m (M7) = 360 switches per hour, 60% duty

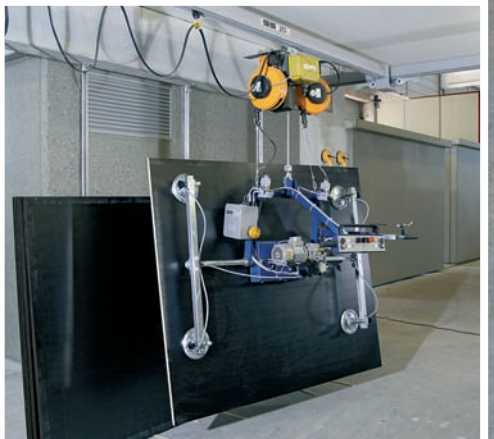




GIS 250

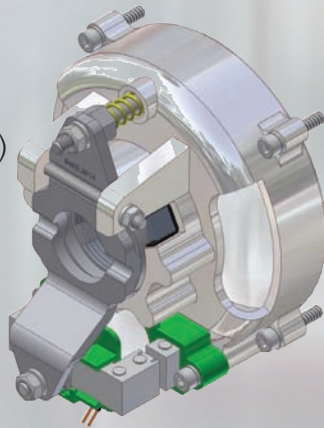
GIS

GIS



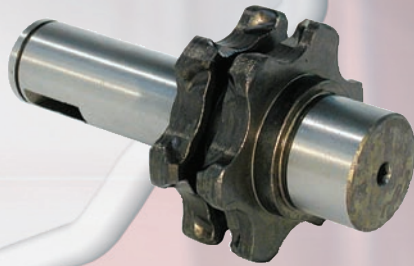
Brake

- Maximum safety (construction: brake after slipping clutch)
- New advanced brake design
- Unique availability
- Maintenance free



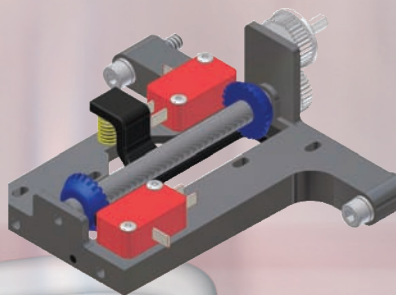
Chain wheel

- Made of hardened steel
- With additional chain pockets (4mm): hence quiet running and improved running properties
- With double bearing construction



Geared limit switch (standard)

- Simple adjustment
- Exact positioning
- Lifting heights up to 120 m
- Accuracy for repetition assured



Transmission

- Helical-toothed first and second gear step for quiet running
- Permanent lubrication for wear resistant operation

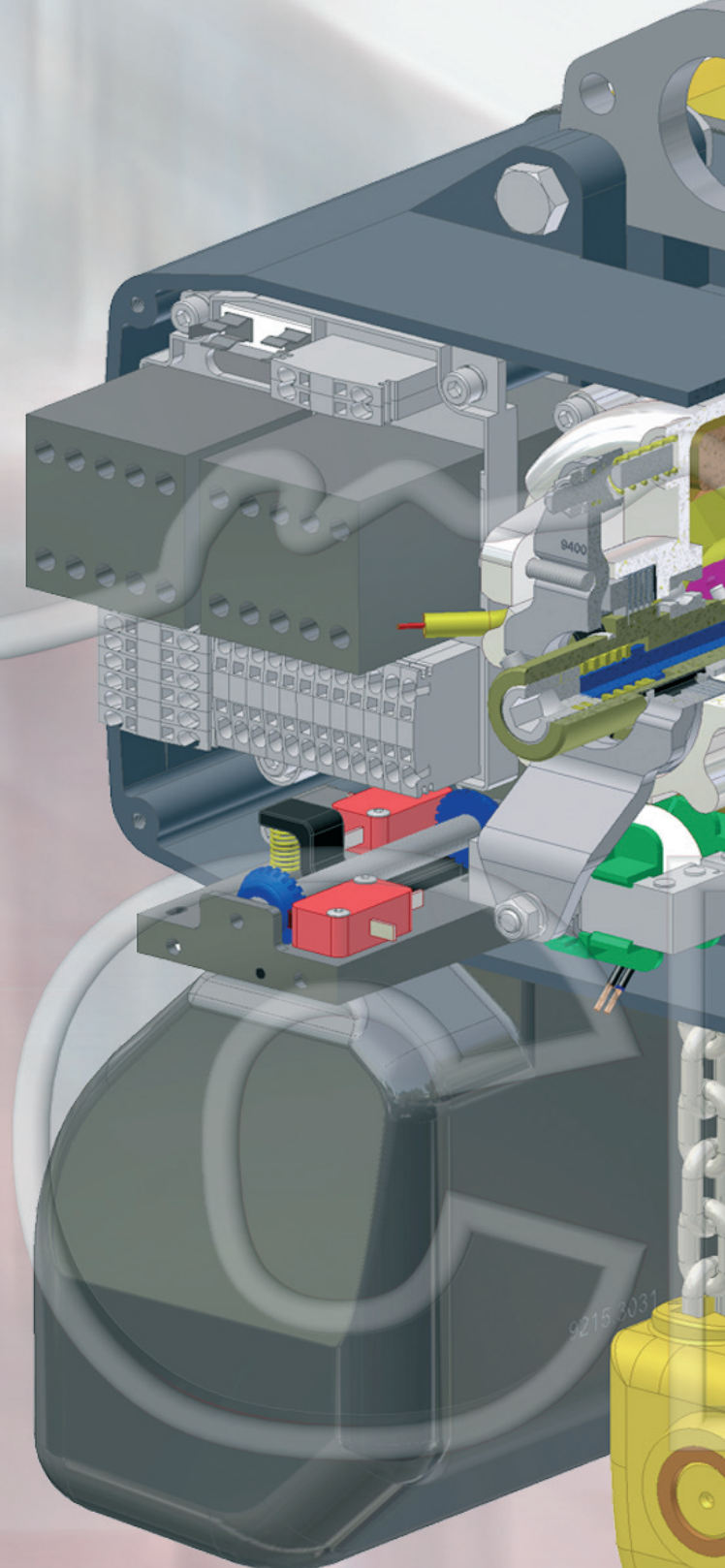


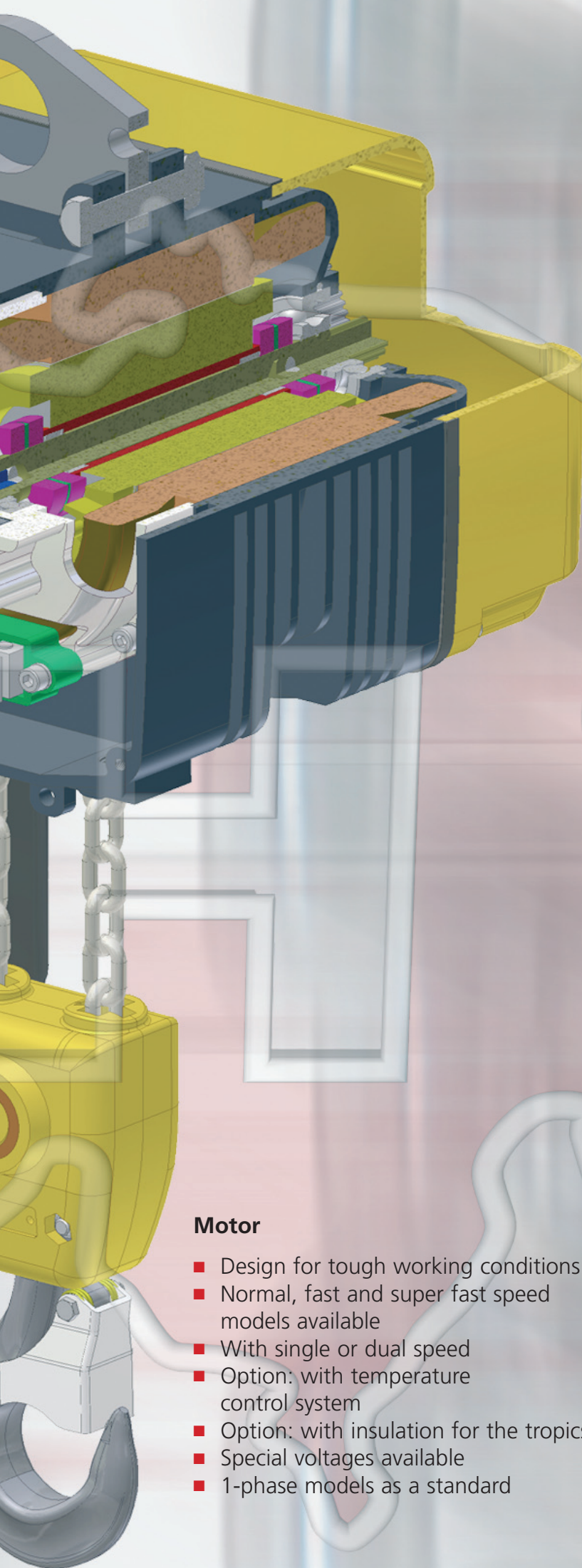
Contactor control system

- Simple technology (no electronics susceptible to interference)
- Reliable technique
- Emergency stop as a standard
- 42V control system allowing highest safety of operation

Hoisting chain

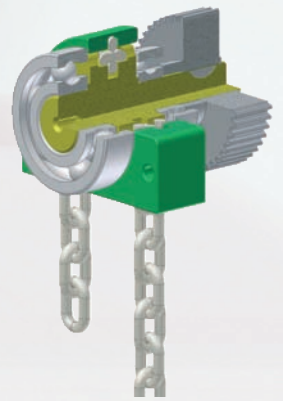
- Calibrated especially for GIS
- Zinc plated
- Surface-hardened
- Quality class DAT (8SS) to FEM 9.671





Chain guidance

- 2-part construction to optimize maintenance
- Reinforced plastic material highly wear resistant
- Safe operation jamming excluded



Slipping clutch

- Simple and precise adjustment
- Maintenance free and highly resistant to wear
- Ease of servicing thanks to comfortable access



Control switch

- With built-in support wire as a standard
- 2-buttons: design especially ergonomic
- Emergency stop as a standard
- Protection: IP65 to DIN 40050
- Optional: with integrated working hours counter



Motor

- Design for tough working conditions
- Normal, fast and super fast speed models available
- With single or dual speed
- Option: with temperature control system
- Option: with insulation for the tropics
- Special voltages available
- 1-phase models as a standard

Housing

- Cast aluminium housing with maximum solidity (no plastic material)
- For extreme working conditions: casted cooling gills
- Easy transformation from 1- fall to 2-falls operation: no need of dismantling





GIS 125 kg



CREATION OF ADDED VALUE WITH PROFESSIONAL MATERIAL HANDLING

Low headroom with GIS-CH electric chain hoist

- Solution for especially low rooms for working areas in all kind of industries
- Reduced headroom over clever hoist alignment and chain guidance
- Hook position individually adjustable by geared limit switch
- Step less speed control with frequency inverter available (optional)
- Hook distance variable by modular lengthening device
- Designed for use with the complete GIS range
- Load capacity until 3200 kg

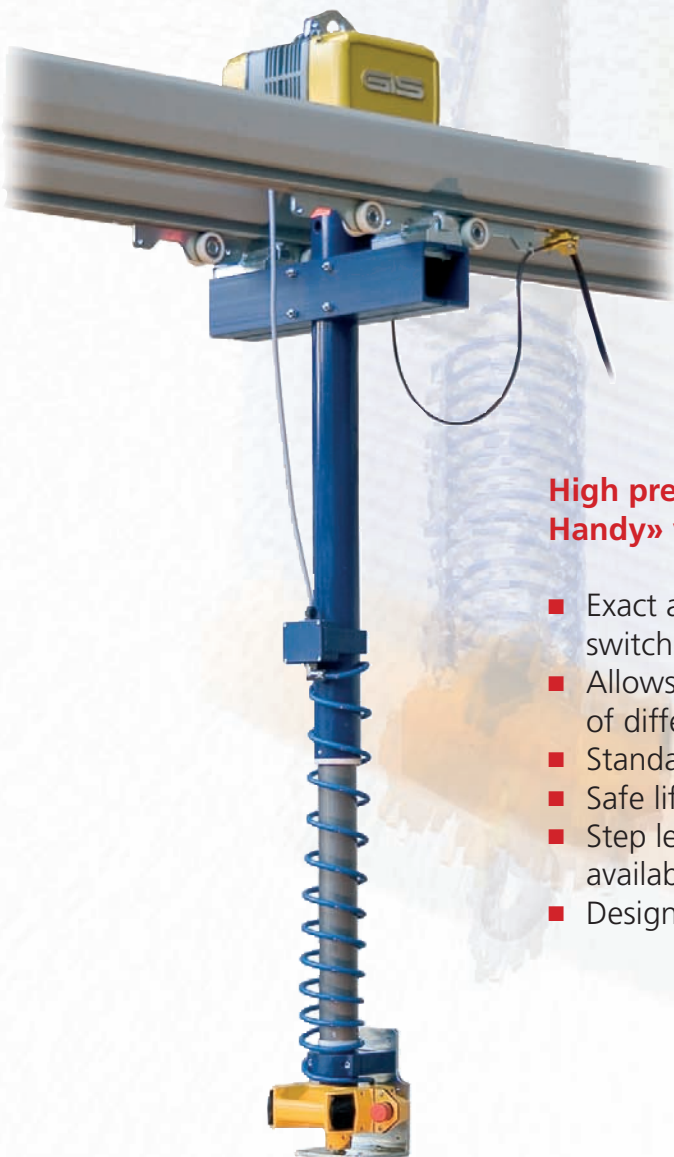
Synchronic lifting technology with GIS-CH electric chain hoist

- Solution for optimized handling of exceptional length and bulky loads
- Precise parallel run of two or four load hooks guaranteed
- Load capacity with 2 hooks, 2 x 1250 kg or with 4 hooks, 4 x 1250 kg
- Hook position (height) individually adjustable by geared limit switch
- Step less speed control with frequency inverter available (optional)
- Hook distance following needs and further on adjustable
- Modular development for use in low rooms
- Practicable in fully automatic installations with external controls
- Designed for use with the complete GIS range

REALIZE YOUR WISHES BY DIRECT HANDCONTROLS

Flexible hand guide control «Chain Handy» with GIS-CH electric chain hoist

- Product positioning through toggle switch in comfortable and efficient way
- Allows a fast and reliable movement of different goods
- Standard left and right hand operation
- Safe lifting until 250 kg capacity
- Step less speed control with frequency inverter available (optional)
- Designed for use with the complete GIS range



High precise rigid hand guide control «Telescopic Handy» with GIS-CH electric chain hoist

- Exact and accurate positioning through toggle switch and rigid telescopic guide system
- Allows the controlled and perfected handling of different (incl. liquids) transport goods
- Standard left and right hand operation
- Safe lifting until 250 kg capacity
- Step less speed control with frequency inverter available (optional)
- Designed for use with the complete GIS range

ELECTRIC CHAIN HOIST - FOR THE ENTERTAINMENT INDUSTRY



Climbing and lifting with GIS-CH electric chain hoist

- Individually available with direct or standard control
- Prepared for externally powered controls
- Available with standard geared limit switch
- Available with second break and load control system
- Fulfills requirements of BGV-D8, BVG-D8 Plus and BGV-C1

ECONOMIC EXPLOSION PROOVED SOLUTION

ATEX conformity with GIS-CH electric chain hoist

- Solution with existent industrial resources (air pressure 4 bar)
- The entry of gas is avoided through an overpressure in the housing
- Maximum safety guaranteed: At a loss of pressure in the housing the power will be cut immediately (electrically connected over the emergency stop)



Dust execution

Ex II 3D IP T130°C

- Equipment group II
- Equipment category 3
- Zone 22 (D)
- Temperature class = less 130° motor with Klixon

Gas execution

Ex II 3G EEx II nZ T3 and Ex II 3D IP T130°C

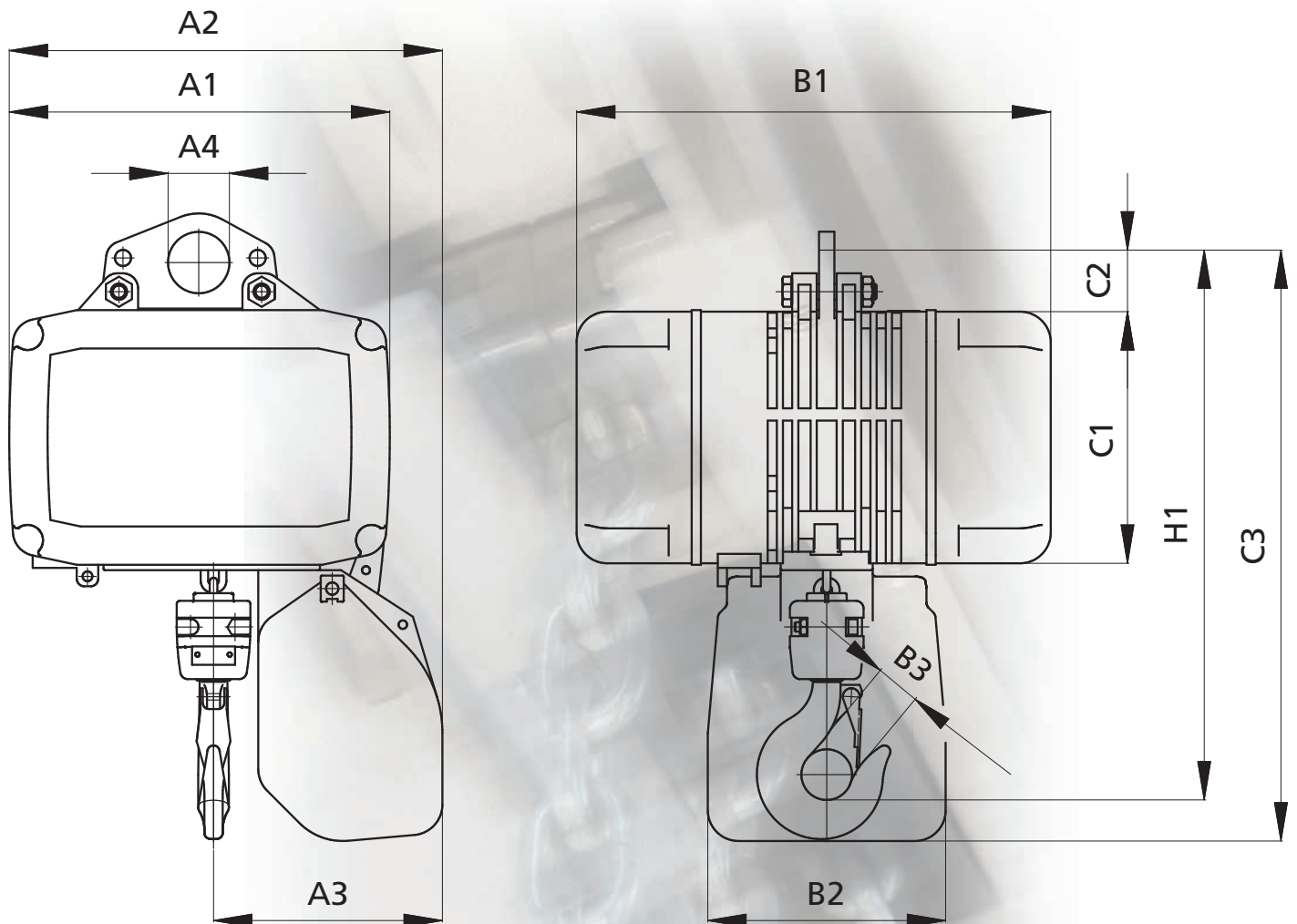
- Equipment group II
- Equipment category 3
- Zone 2 (G) 22 (D)
- Temperature class = T3 motor with Klixon
- With overpressure surveillance

IN HARD AMBIENT CONDITIONSWE FEEL GOOD.

Specific research guarantees corrosion resistance with GIS-CH electric chain hoist

- Specially for applications in aggressive atmospheres (tested in defined acids and lye's and other specific liquids and substances)
- All contact affected parts manufactured in corrosion resistant material (chain, equipment material, hook and screws)
- High reliability with standard IP 65 protection class
- Designed for use with the complete GIS range
- Lifting capacity till 1000 kg

DIMENSIONS GIS-CH ELECTRIC CHAIN HOIST



Type	A1 mm	A2 mm	A3 mm	A4 mm	B1 mm	B2 mm	B3 mm	C1 mm	C2 mm	C3 mm	H1 mm
GCH 250/1	246	281	146	40	309	155	26	164	40	385	363
GCH 250/2	246	281	164	40	309	155	26	164	40	385	395
GCH 500/1	246	281	146	40	309	155	27	164	40	385	377
GCH 500/2	246	281	169	40	309	155	27	164	40	385	417
GCH 1000/1	321	381	195	52	365	185	33	210	52	530	450
GCH 1000/2	321	381	235	52	365	185	33	210	52	530	520
GCH 1600/1	345	428	225	75	391	185	33	230	80	575	490
GCH 1600/2	345	428	265	75	391	185	33	230	80	575	610
GCH 2000/1	345	428	225	75	391	185	33	230	80	575	490
GCH 2000/2	345	428	265	75	391	185	33	230	80	575	610
GCH 2500/1	345	428	225	75	391	185	33	230	80	575	490
GCH 2500/2	345	428	265	75	391	185	33	230	80	575	610

Lifting technology
Crane technology
Vacuum lifting technology

**FAITH IN TECHNOLOGY.
FAITH IN GIS.**

GIS customer expectations

Check of requirements
Situation analysis
Standard specifications
Objectives



GIS concept

Goods handling concept
Advice on solutions
Concept
Budgeting/offer



GIS implementation

Implementation
Planning
Delivery
Commissioning/
Installation



Productive solutions
Optimised costs
After-sales service
Long-term guarantee

You will find our representatives in more than 50 countries and detailed technical documentation at

www.gis-ag.ch

GIS AG

Hebe- und Fördertechnik
Luzernerstrasse 50
CH-6247 Schötz

Tel. +41 (0)41 984 11 33

Fax +41 (0)41 984 11 44

tel@gis-ag.ch

www.gis-ag.ch

Zertifiziert nach ISO 9001

GIS® **Lifting and Crane Technology**
Faith in technology. Faith in GIS.