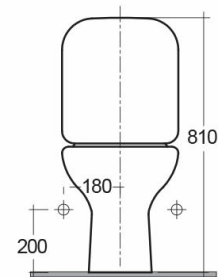
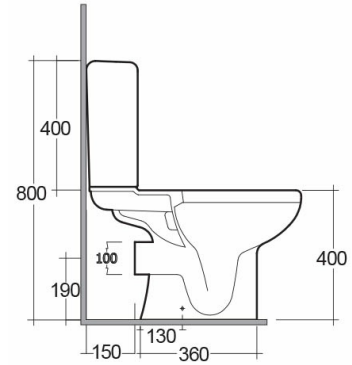
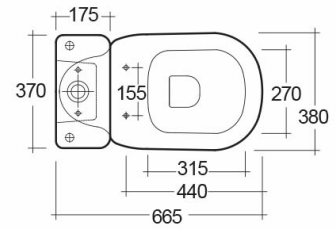


RAK-ORIENT

Close Coupled | Water Closet

RAK
CERAMICS



Technical specifications

Dimensions:	665 x 380 mm
Weight:	31 Kg
Color:	Alpine White, Ivory
Trap type:	P Trap
Trapway type:	Concealed
Seat cover options:	ABS & Urea
Bowl shape:	Oval
Soft close:	yes
Dual flush:	yes
Suites:	RAK-ORIENT

Code	Name
OR20AWHA	ORIENT WATER CLOSET CLOSE COUPLED P-TRAP 66CM
OR04AWHA	ORIENT WATER CLOSET TANK

Dimensions: All dimensions in mm tolerance $\pm 5\%$ for below 200mm and $\pm 3\%$ for above 200mm.
 Note: Due to a continuing development programme to improve design and performance, the manufacturer reserves all rights to vary specifications without prior information.
 Please note accessories are for photographic use only.