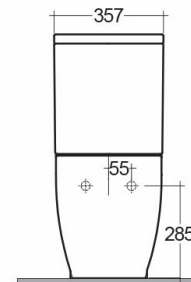
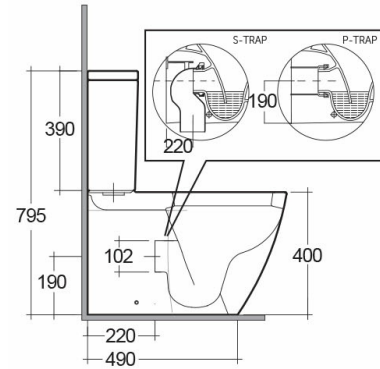
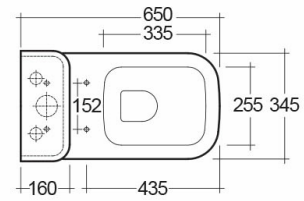


# RAK-CAROLINE

## Close Coupled | Water Closet

**RAK**  
CERAMICS



### Technical specifications

Dimensions:	650 x 345 mm
Weight:	45 Kg
Color:	Alpine White
Trap type:	P Trap
Trapway type:	Concealed
Seat cover options:	ABS & Urea
Bowl shape:	Rounded Rectangle
Soft close:	yes
Dual flush:	yes
Suites:	<a href="#">RAK-CAROLINE</a>

Code	Name
CY11AWHA	CAROLINE WATER CLOSET CLOSE COUPLED BACK TO WALL P S-TRAP 65CM
CY10AWHA	CAROLINE WATER CLOSET TANK

Dimensions: All dimensions in mm tolerance  $\pm 5\%$  for below 200mm and  $\pm 3\%$  for above 200mm.

Note: Due to a continuing development programme to improve design and performance, the manufacturer reserves all rights to vary specifications without prior information.

Please note accessories are for photographic use only.