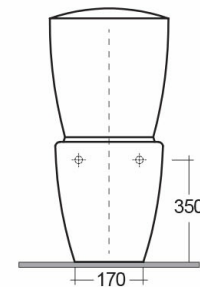
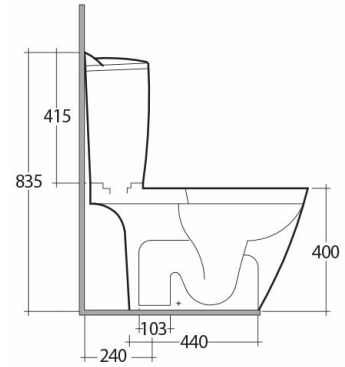
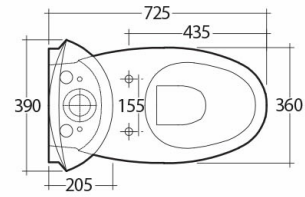


# RAK-VENICE

## Close Coupled | Water Closet

**RAK**  
CERAMICS



### Technical specifications

Dimensions:	725 x 360 mm
Weight:	43 Kg
Color:	Alpine White, Ivory
Trap type:	S Trap
Trapway type:	Concealed
Seat cover options:	ABS & Urea
Bowl shape:	Round
Soft close:	yes
Quick remove seat cover:	yes
Dual flush:	yes
Suites:	<a href="#">RAK-VENICE</a>

Code	Name
VN03AWHA	VENICE WATER CLOSET CLOSE COUPLED S-TRAP 72CM
VN10AWHA	VENICE WATER CLOSET TANK

Dimensions: All dimensions in mm tolerance  $\pm 5\%$  for below 200mm and  $\pm 3\%$  for above 200mm.

Note: Due to a continuing development programme to improve design and performance, the manufacturer reserves all rights to vary specifications without prior information.

Please note accessories are for photographic use only.