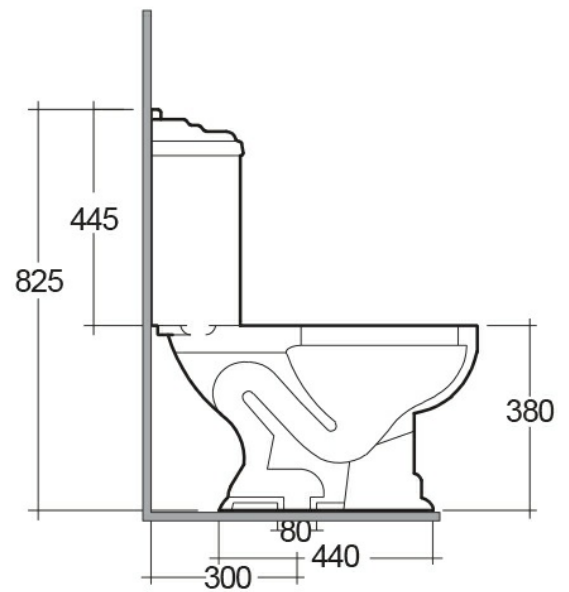
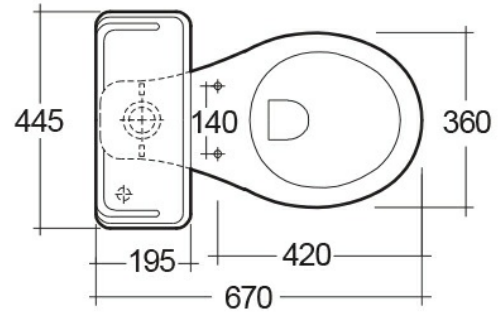


RAK-WINDSOR

Syphonic | Close Coupled | Water Closet

RAK
CERAMICS



Technical specifications

Dimensions:	670 x 360 mm
Color:	Alpine White
Trap type:	S Trap
Trapway type:	Concealed
Seat cover options:	ABS Plastic
Bowl shape:	Oval

Code	Name
WD12AWHA	WINDSOR WATER CLOSET SIPHONIC 67CM
WD09AWHA	WINDSOR WATER CLOSET TANK

Dimensions: All dimensions in mm tolerance $\pm 5\%$ for below 200mm and $\pm 3\%$ for above 200mm.

Note: Due to a continuing development programme to improve design and performance, the manufacturer reserves all rights to vary specifications without prior information.

Please note accessories are for photographic use only.