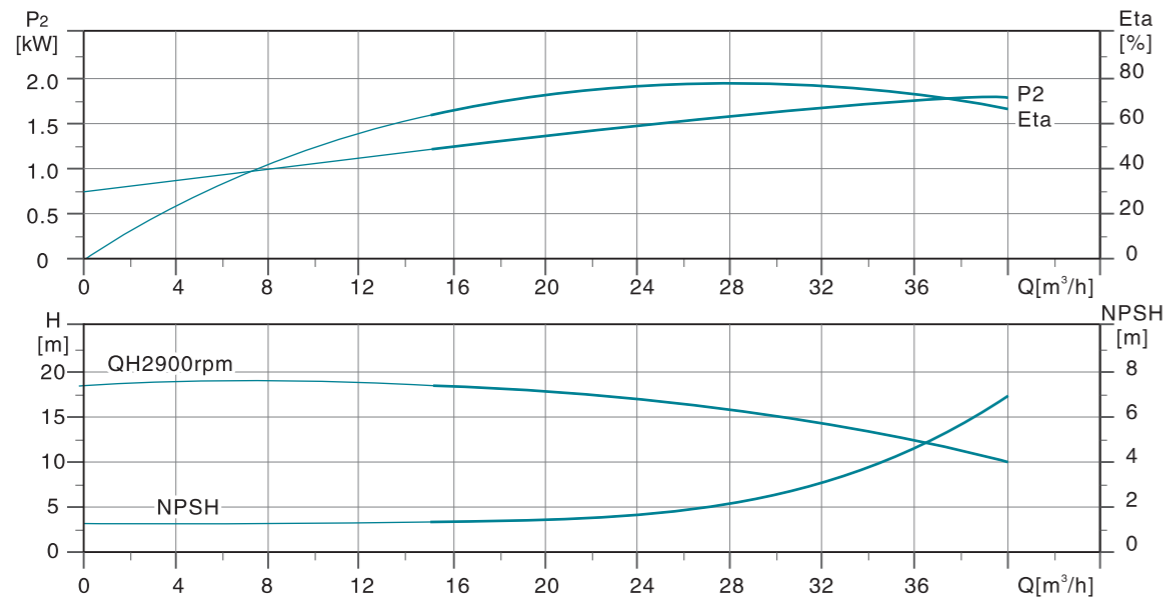
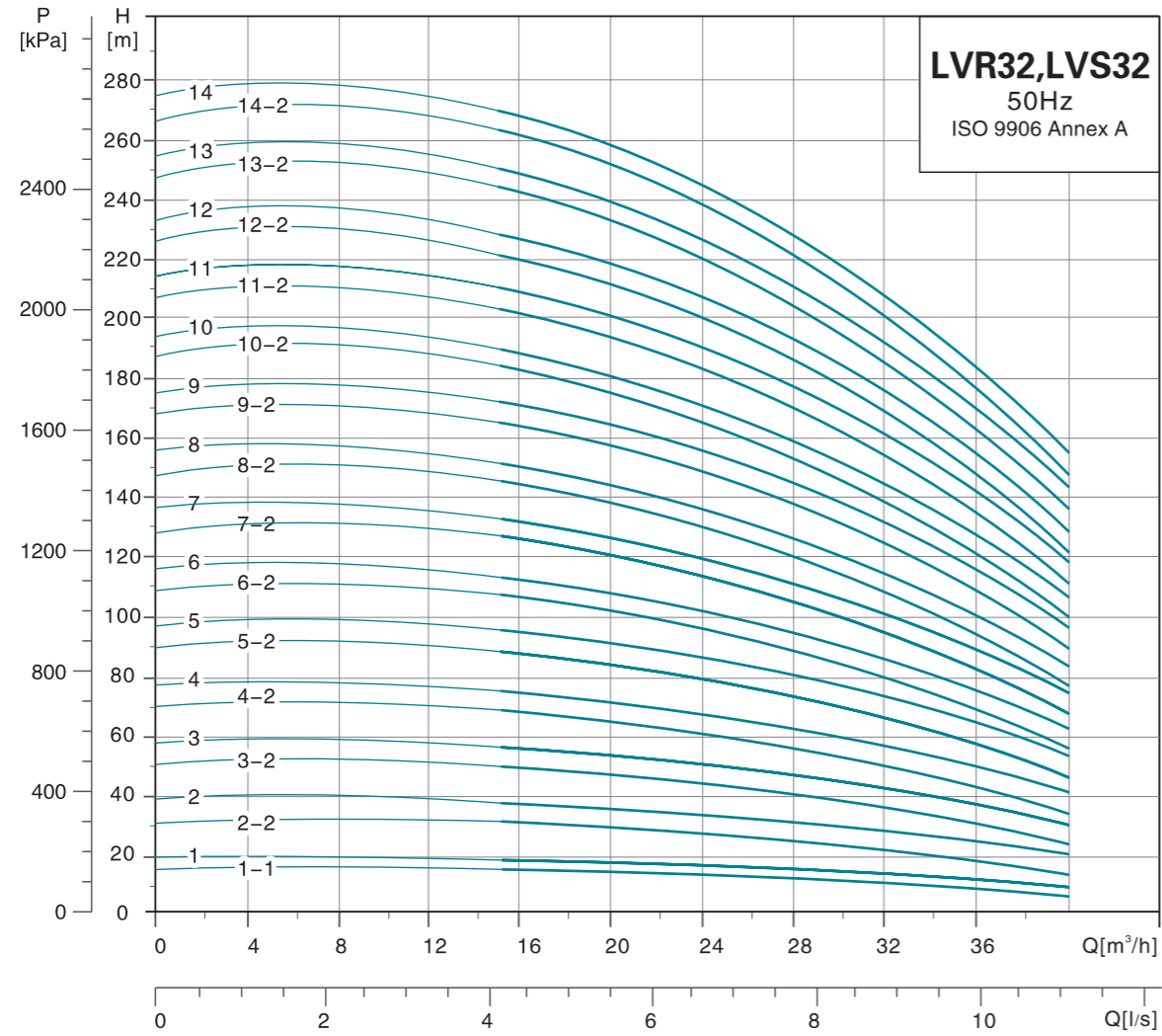
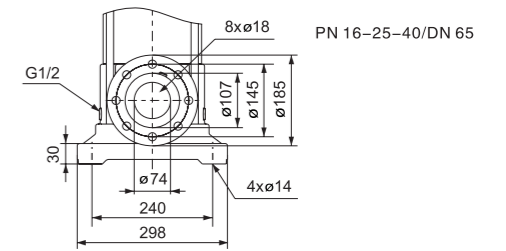
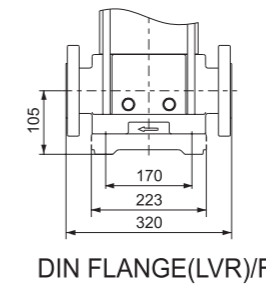
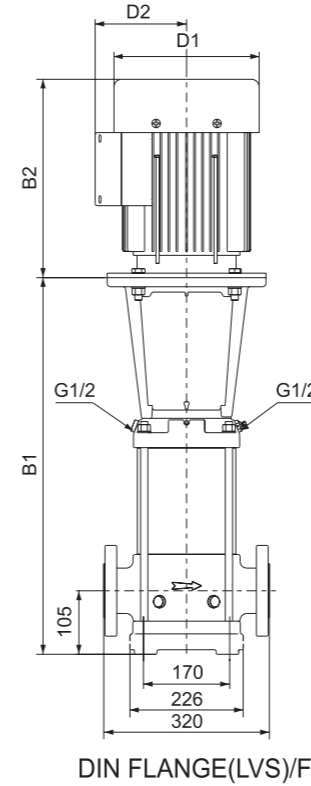


Hydraulic Performance Curves



Dimension Drawing



MODEL	DIN FLANGE(LVR, LVS)		D1	D2
	B1	B1+B2		
32-1-1	505	786	178	110
32-1	505	826	178	110
32-2-2	575	910	198	120
32-2	575	947	220	134
32-3-2	645	1036	220	134
32-3	645	1036	220	134
32-4-2	715	1106	220	134
32-4	715	1106	220	134
32-5-2	895	1393	334	263
32-5	895	1393	334	263
32-6-2	965	1463	334	263
32-6	965	1463	334	263
32-7-2	1035	1533	334	263
32-7	1035	1533	334	263
32-8-2	1105	1603	334	263
32-8	1105	1603	334	263
32-9-2	1175	1673	334	263
32-9	1175	1673	334	263
32-10-2	1245	1743	334	263
32-10	1245	1743	334	263
32-11-2	1315	1877	382	305
32-11	1315	1877	382	305
32-12-2	1385	1947	382	305
32-12	1385	1947	382	305
32-13-2	1455	2115	420	372
32-13	1455	2115	420	372
32-14-2	1525	2185	420	372
32-14	1525	2185	420	372

MODEL	POWER[kW]	Q[m³/h]	15	20	25	32	35	40
32-1-1	1.5		15	14	13	10	8	5
32-1	2.2		18	17	16	13	11.5	9
32-2-2	3		31	29.5	26.5	20.5	17.5	12
32-2	4		37	35.5	32.5	27.5	25	19.5
32-3-2	5.5		50	47	43.5	35.5	31	22.5
32-3	5.5		55.5	53	49	41.5	37.5	29.5
32-4-2	7.5		68.5	65	60	49.5	44	32.5
32-4	7.5		74.5	70.5	66	56	50.5	40
32-5-2	11		88.5	84.5	78	65.5	58.5	45
32-5	11		94.5	90	84	72	65	52
32-6-2	11		107	102	94.5	79.5	71	55
32-6	11		113	108	100	85.5	77.5	61.5
32-7-2	15		127	121	112	94.5	85	66.5
32-7	15		133	126	118	101	92	73.5
32-8-2	15		145	138	128	108	98	76.5
32-8	15		151	144	134	115	104	83
32-9-2	18.5		165	158	147	124	112	88.5
32-9	18.5		171	163	152	131	119	95.5
32-10-2	18.5		184	175	163	138	125	98.5
32-10	18.5		190	181	169	145	133	106
32-11-2	22		203	194	181	154	140	111
32-11	22		209	200	187	161	147	118
32-12-2	22		222	212	197	168	152	121
32-12	22		227	217	203	176	160	128
32-13-2	30		244	233	218	187	169	136
32-13	30		250	239	224	193	177	145
32-14-2	30		263	251	234	201	183	146
32-14	30		269	258	241	207	188	156