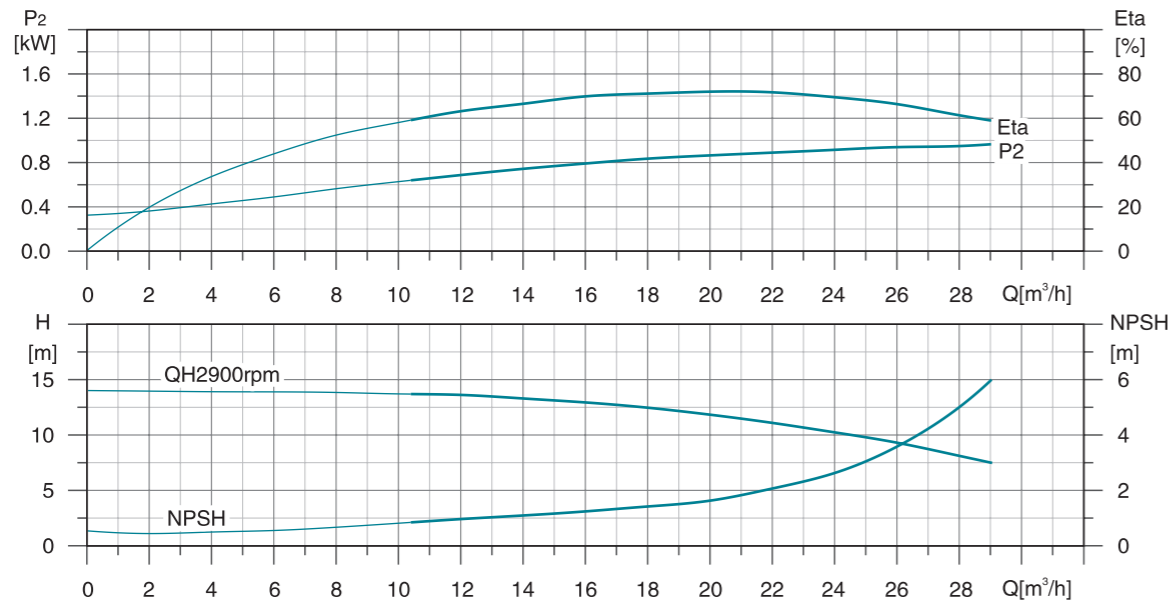
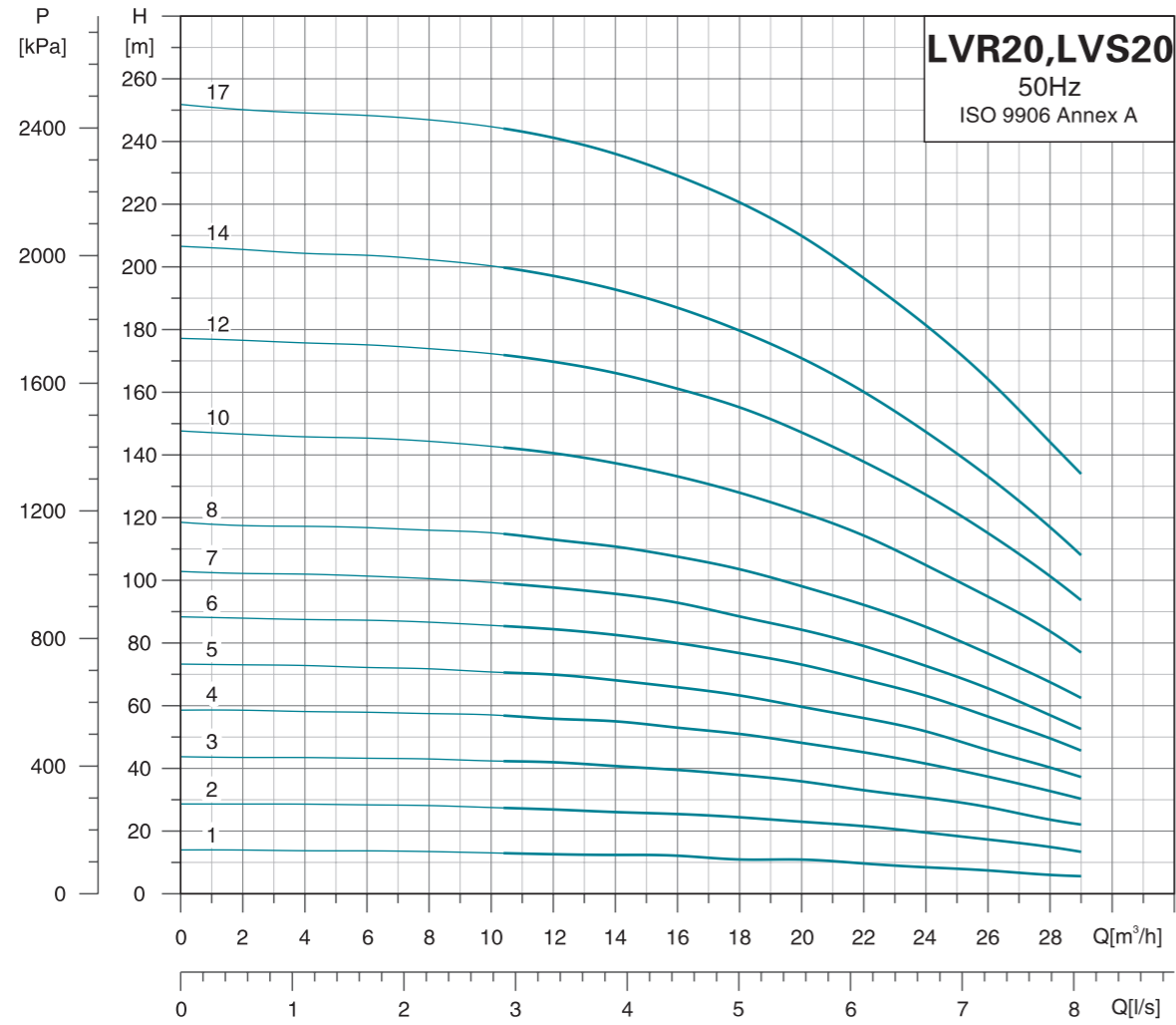
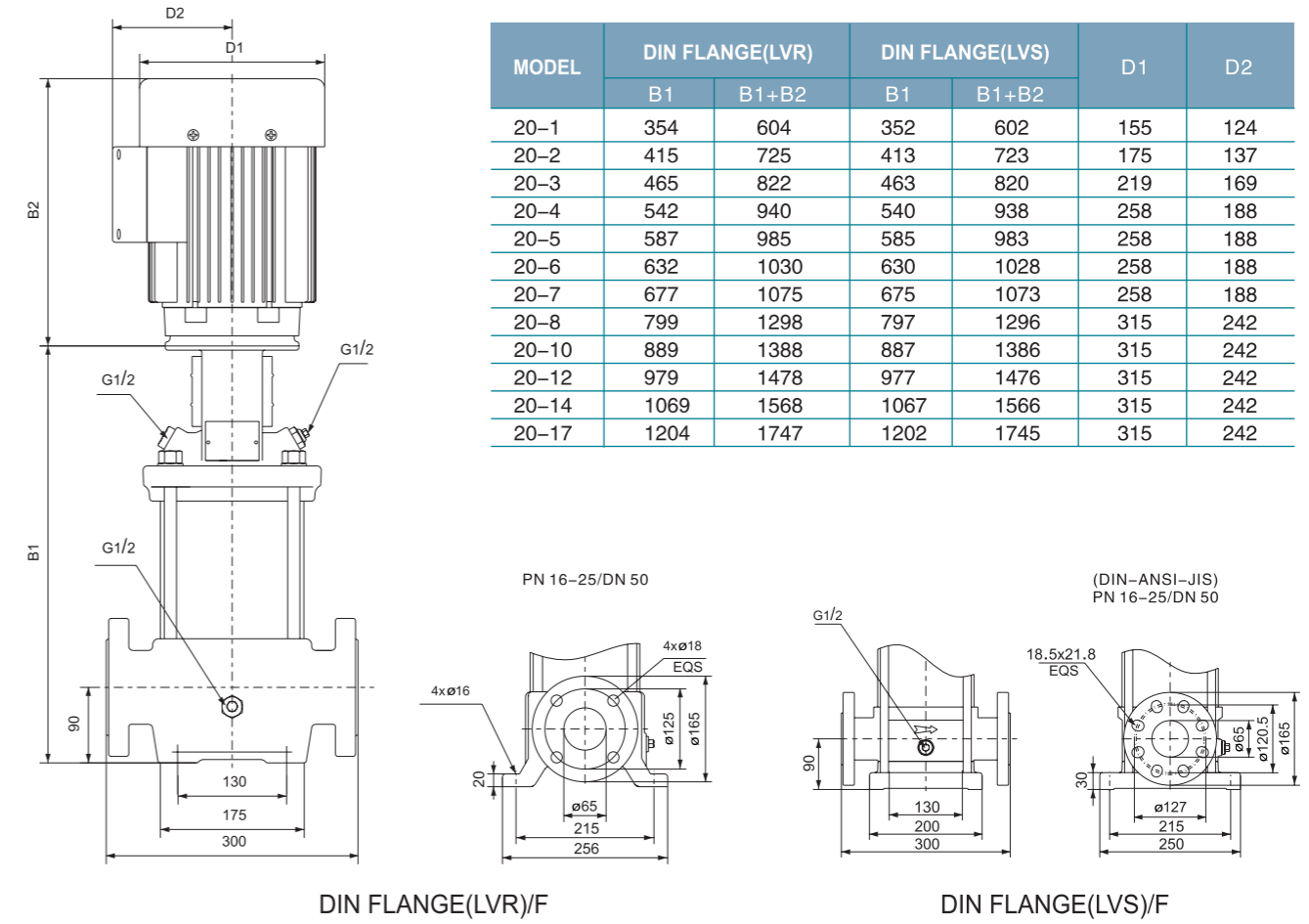


Hydraulic Performance Curves



Dimension Drawing



| MODEL | DIN FLANGE(LVR) | | DIN FLANGE(LVS) | | D1 | D2 |
|-------|-----------------|-------|-----------------|-------|-----|-----|
| | B1 | B1+B2 | B1 | B1+B2 | | |
| 20-1 | 354 | 604 | 352 | 602 | 155 | 124 |
| 20-2 | 415 | 725 | 413 | 723 | 175 | 137 |
| 20-3 | 465 | 822 | 463 | 820 | 219 | 169 |
| 20-4 | 542 | 940 | 540 | 938 | 258 | 188 |
| 20-5 | 587 | 985 | 585 | 983 | 258 | 188 |
| 20-6 | 632 | 1030 | 630 | 1028 | 258 | 188 |
| 20-7 | 677 | 1075 | 675 | 1073 | 258 | 188 |
| 20-8 | 799 | 1298 | 797 | 1296 | 315 | 242 |
| 20-10 | 889 | 1388 | 887 | 1386 | 315 | 242 |
| 20-12 | 979 | 1478 | 977 | 1476 | 315 | 242 |
| 20-14 | 1069 | 1568 | 1067 | 1566 | 315 | 242 |
| 20-17 | 1204 | 1747 | 1202 | 1745 | 315 | 242 |

| MODEL | POWER[kW] | Q[m³/h] | 4 | 8 | 12 | 16 | 20 | 24 | 28 |
|-------|-----------|---------|-----|-----|-----|-----|------|-----|-----|
| 20-1 | 1.1 | H(m) | 13 | 13 | 13 | 12 | 10.5 | 9.5 | 6.5 |
| 20-2 | 2.2 | | 28 | 28 | 27 | 25 | 22.5 | 19 | 15 |
| 20-3 | 4.0 | | 43 | 43 | 42 | 39 | 36 | 30 | 23 |
| 20-4 | 5.5 | | 58 | 57 | 56 | 53 | 48 | 41 | 32 |
| 20-5 | 5.5 | | 73 | 72 | 70 | 66 | 60 | 52 | 40 |
| 20-6 | 7.5 | | 87 | 83 | 84 | 80 | 72 | 62 | 49 |
| 20-7 | 7.5 | | 102 | 100 | 97 | 93 | 84 | 72 | 57 |
| 20-8 | 11.0 | | 117 | 116 | 113 | 107 | 96 | 85 | 67 |
| 20-10 | 11.0 | | 146 | 144 | 140 | 132 | 120 | 105 | 83 |
| 20-12 | 15.0 | | 175 | 174 | 169 | 161 | 144 | 127 | 101 |
| 20-14 | 15.0 | | 204 | 202 | 197 | 187 | 168 | 147 | 117 |
| 20-17 | 18.5 | | 249 | 247 | 241 | 229 | 205 | 181 | 144 |