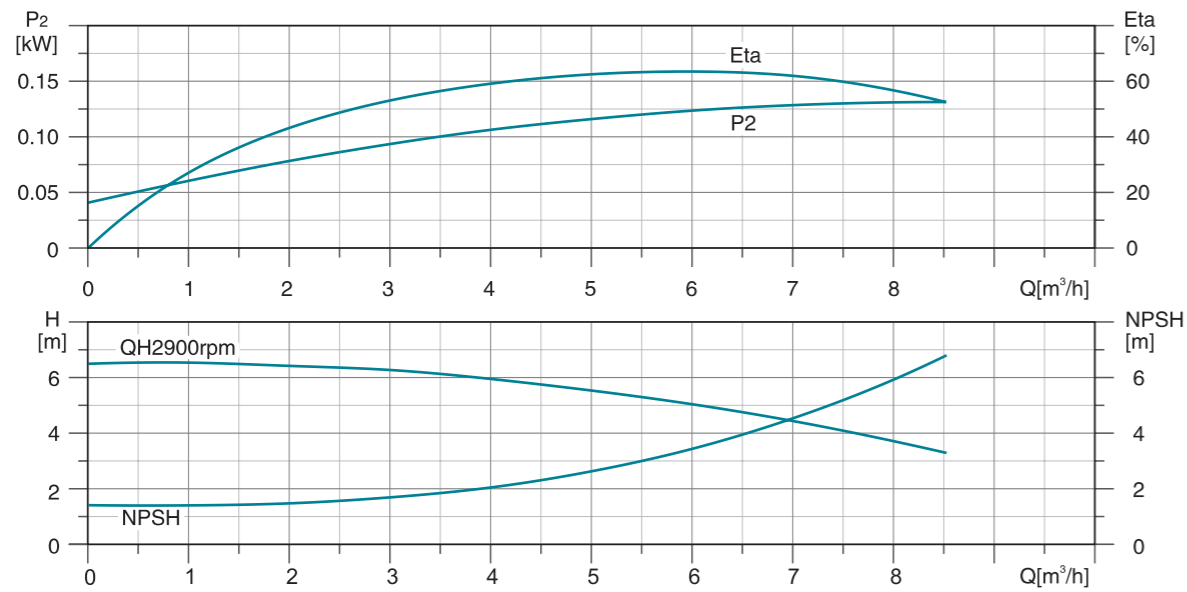
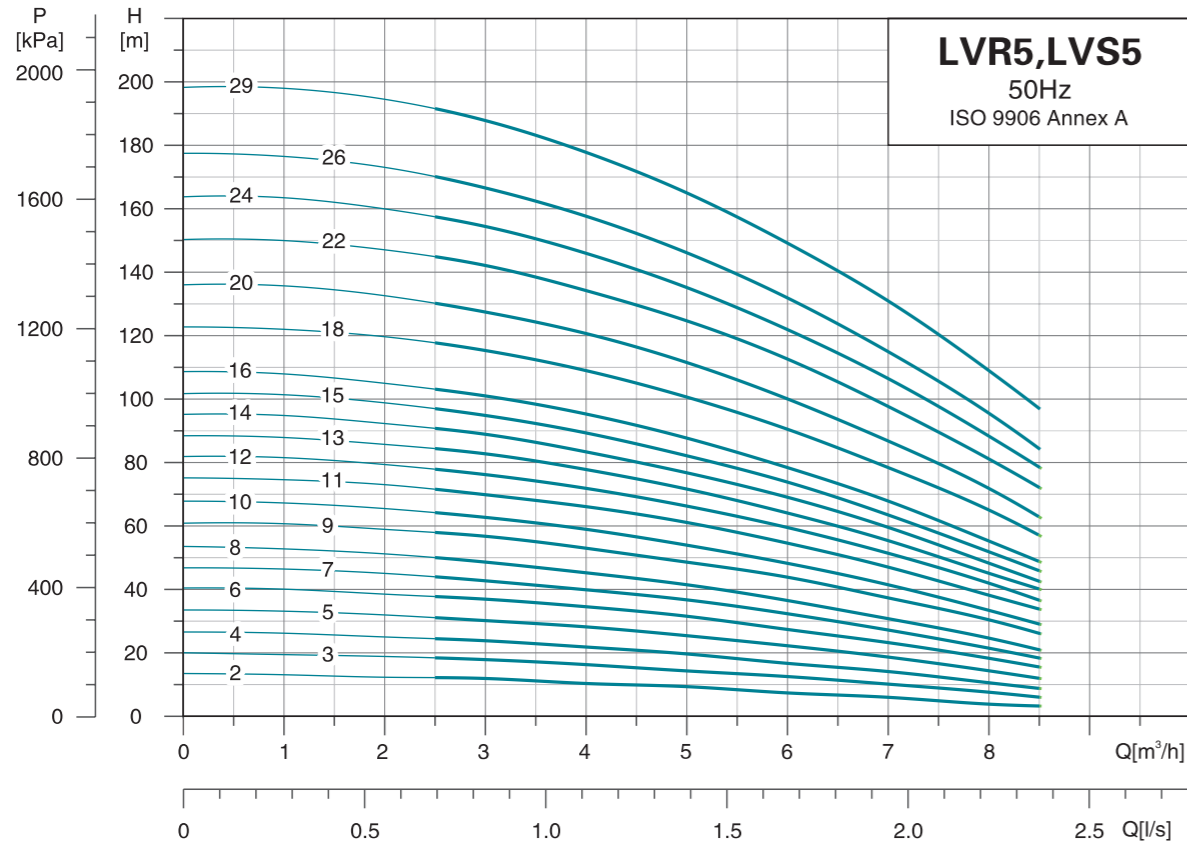
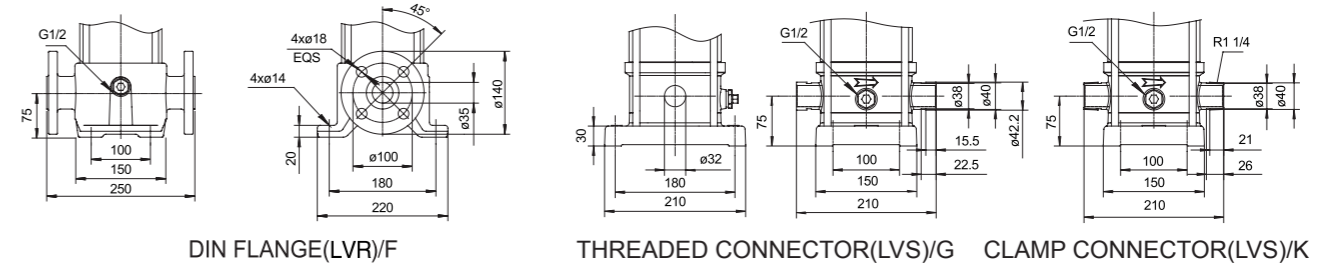
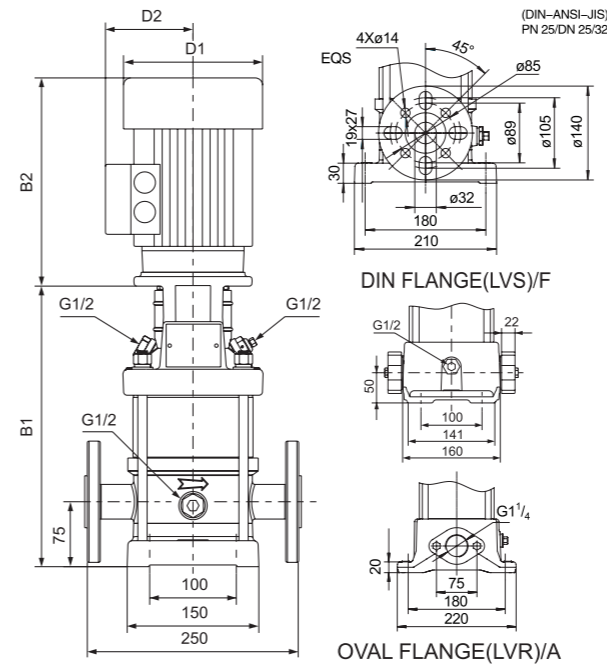


Hydraulic Performance Curves



Dimension Drawing



MODEL	OVAL FLANGE(LVR)		DIN FLANGE(LVS)		D1	D2
	B1	B1+B2	B1	B1+B2		
5-2	256	486	282	512	136	109
5-3	283	513	309	539	136	109
5-4	310	540	336	566	136	109
5-5	341	591	367	617	155	124
5-6	368	618	394	644	155	124
5-7	395	645	421	671	155	124
5-8	422	672	448	698	155	124
5-9	465	775	491	801	175	137
5-10	492	802	518	828	175	137
5-11	519	829	545	855	175	137
5-12	546	856	572	882	175	137
5-13	573	883	599	909	175	137
5-14	600	910	626	936	175	137
5-15	627	937	653	963	175	137
5-16	654	964	680	990	175	137
5-18	712	1042	738	1068	195	151
5-20	766	1096	792	1122	195	151
5-22	820	1177	846	1203	219	169
5-24	874	1231	900	1257	219	169
5-26	928	1285	954	1311	219	169
5-29	1009	1366	1035	1392	219	169

Note: B1 and B1+B2 of clamp connector and threaded connector are in compliance with that of DIN flange.

MODEL	POWER[kW]	Q[m³/h]	1.0	2.0	3.0	4.0	5.0	6.0	7.0	
5-2	0.37	H(m)	13	12	12	10	9	7	6	
5-3	0.55		19	19	18	16	15	12	10	
5-4	0.55		26	25	24	22	19	16	14	
5-5	0.75		33	32	30	28	24	22	18	
5-6	1.1		40	38	37	34	28	27	23	
5-7	1.1		46	45	42	40	32	32	27	
5-8	1.1		53	51	48	45	40	40	36	31
5-9	1.5		60	59	56	53	47	44	44	37
5-10	1.5		67	65	62	59	53	48	48	41
5-11	2.2		74	73	70	66	59	54	54	47
5-12	2.2		81	79	76	72	63	59	59	51
5-13	2.2		88	85	82	78	68	64	64	55
5-14	2.2		95	92	89	83	74	69	69	60
5-15	2.2		101	99	95	89	79	74	74	63
5-16	2.2		108	105	101	95	85	78	78	68
5-18	3.0		122	119	115	109	98	90	90	78
5-20	3.0		135	132	127	120	108	100	100	87
5-22	4.0		150	147	142	134	120	112	112	97
5-24	4.0		163	160	154	146	132	122	122	106
5-26	4.0		176	173	166	157	145	132	132	115
5-29	4.0		198	194	188	178	155	149	149	131