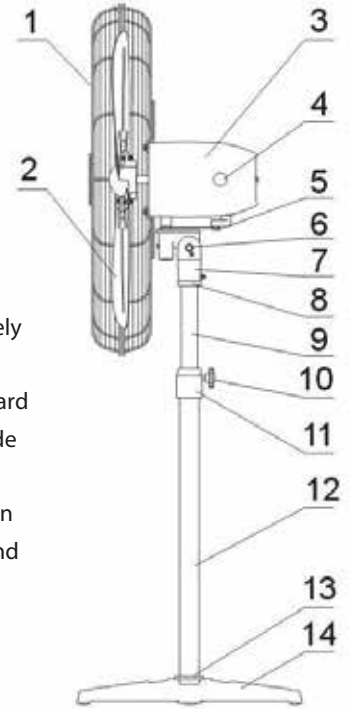


PEDESTAL FAN - INDUSTRIAL



PEDESTAL / STAND FAN - HEAVYDUTY KBPF 24HD, KBPF 30HD

- ◆ Large air volume and low noise, effectively motor
- ◆ Three speeds, chroming and densely guard
- ◆ Optimized alumized aluminum-iron blade structure, two or three blades
- ◆ Suitable for cooling-down temperature in mineral factories, workshop, warehouse and hall etc.



Model No.	Size	Sweep	Power	Voltage	Frequency	Speed	Current
KBPF24HD	24"	24" 60 CM	200 W	220 - 240V	50/60HZ	900 RPM	0.7 A
KBPF30HD	30"	30" 75CM	200W	220 - 240V	50/60HZ	900 RPM	1.0 A

Code	Fan Type	Main Component	Material
1	Pedestal	Guard	Steel
2	Pedestal	Blade	Aluminium
3	Pedestal	Motor	Copper
4	Pedestal	Switch	Plastic
5	Pedestal	Oscillating Screw	Steel
6	Pedestal	Set Bolt	Steel
7	Pedestal	Connector	Aluminium
8	Pedestal	Rubber Washer	Plastic
9	Pedestal	Inner Tube	Steel Pipe
10	Pedestal	Knob	Plastic
11	Pedestal	Coupling	Aluminium
12	Pedestal	Outer Tube	Steel Pipe
13	Pedestal	Screws	Steel
14	Pedestal	Cross Base	Iron